

[Browse Product Range >](#)

Westfield Fasteners Product Specification:

DIN 80701 - Long Arm Wing Nuts

This product guide contains the specification for metric long arm wing nuts, a small range of standard parts available from Westfield Fasteners. The DIN standard DIN 80701 provides the basis for this specification.

Product Description

Long arm wing nuts are a type of nut mainly used as a closing device, and are designed to be tightened by hand and used where quick and easy assembly is required. Often specified for marine applications, such as side scuttles and ventilation flaps.

Long arm wing nuts, also known as butterfly nuts or toggle nuts have a convex base surface that fits the recess in a fork plate. They can also be paired with dog bolts.

Scope of the DIN Standard.

The DIN standard 80704 defines the shape and dimensions for this type of wing nut. See figure 1 and table 1 below. The standard mentions size M20 specifically, but makes provision for other sizes. Materials include steel, A4-70 stainless steel and brass.

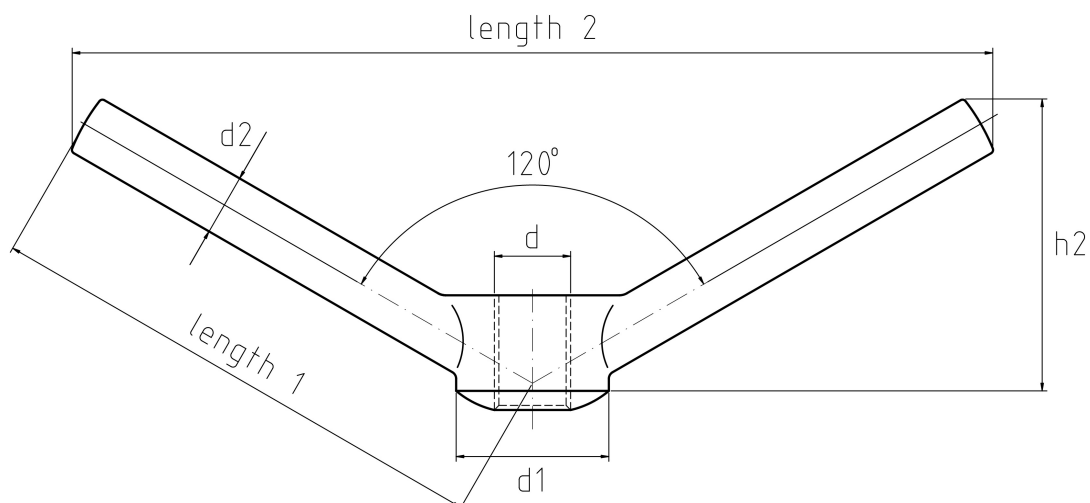


Figure 1: Long Arm Wing Nut

Table 1: Dimensions & Tolerances according to DIN 80701 (mm)

Diameter, d	d1	d2	Length 1	Length 2	h2	Tensile Strength N(mm)²
16	40	16	135	240	75	500
20	40	16	135	240	75	500
24	40	16	135	240	75	500

For verification of details and for further information please refer to the ISO/DIN standard document for this item.
E&OE