



Westfield Fasteners Product Specification:

Diamond Pad Eye Plate with Ring

This product guide contains the specification for Diamond Pad Eye Plates with Ring, a series of standard parts available from Westfield Fasteners' Marine Hardware section.

Product Description

Pad eye plates are available in a number of shapes and configurations, including these diamond pad eyes, which have 4 fixing points, and a captive ring. Pad eyes are also referred to as a deck plates, mooring plates, fairleads and eye plates. Padeyes are often use as attachment points for staysails, reefing blocks, mounting and mast foot blocks, but also for just about anything that needs an attachment point, like a hanging basket.

Diamond Pad Eyes are available in three size variations: the dimensions for each are outlined in Table 1 below.

These padeyes are a stamped and welded version, not cast.

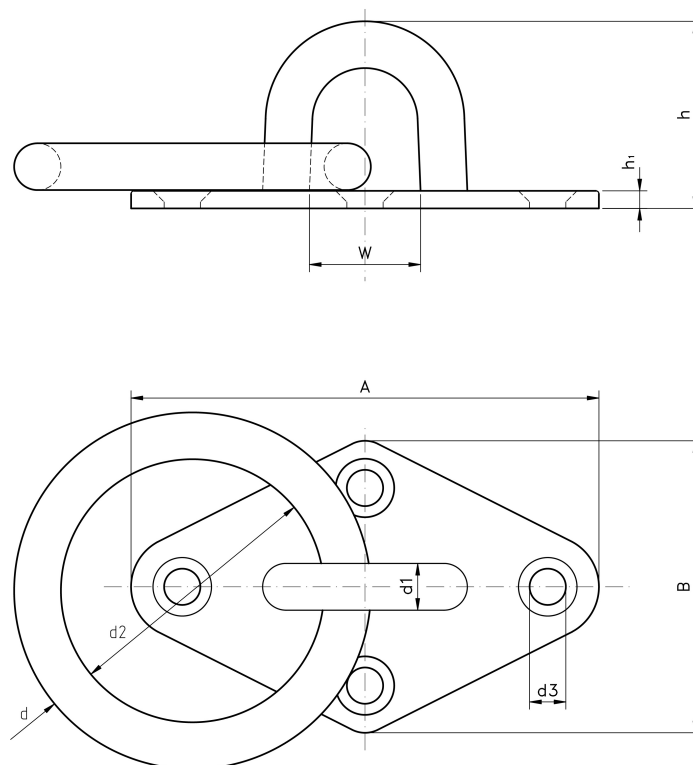


Figure 1: Diamond Pad Eye with Ring

Table 1: Diamond Pad Eye with Ring Approximate Dimensions, in mm

Type	A	B	h	h1	W	d	d1	d2	d3
A	59	37	22	3	11	5	4.2	30	4.2 - 4.5
B	64	40	22	3	15	6	6.0	35	4.2 - 4.5
C	80	50	22	3	18	8	8.0	45	5.5 - 6.2