



## Westfield Fasteners Product Specification:

### DIN 921 - Slotted Pan Head Screws with Large Head

This product guide contains the specification for Slotted pan head screws with large head, a series of standard parts available from Westfield Fasteners. The basis of this specification is the internationally recognised DIN standard DIN 921.

#### Product Description

These large diameter headed screws offer excellent load distribution and an aesthetically pleasing low-profile head. The wide head also eliminates the need for a washer. Installed using a flat head screwdriver, the slotted pan head screw is useful in situations where a thumbscrew or a standard pan head screw is not suitable.

#### Scope of the DIN Standard

DIN 921 specifies the tolerances and the variation of detailing allowable for the slotted pan head with a large head, for sizes M1 up to and including M10. Table 1 below defines the overall dimensions and tolerances of this screw type.

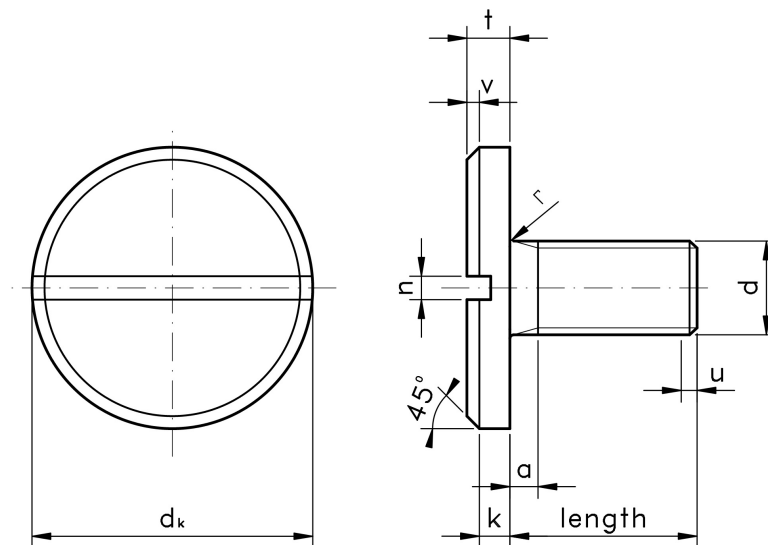


Figure 1: Slotted Pan Screw with Large Head

#### Notes to Figure 1:

- The top edge of the head of the screw can be chamfered at 45 degrees or just rounded.
- The tip of the screw thread is chamfered as in DIN EN ISO 4753.
- The length of the incomplete thread at the tip of the screw ( $u$ ) is the same or less than 1.5 times the thread pitch.

**Table 1: Dimensions & Tolerances according to DIN 921**

Thread Size, d	p	a	d <sub>k</sub>		k			n			r	t		v
		max	Nom	min	nom	max	min	Nom	max	min	max	max	min	=
M1	0.25	0.5	3.50	3.20	0.70	0.82	0.58	0.25	0.45	0.31	0.10	0.50	0.35	0.20
M1.2	0.25	0.5	4.00	3.70	0.80	0.92	0.35	0.3	0.50	0.36	0.10	0.55	0.40	0.20
M1.4	0.3	0.6	4.50	4.20	0.90	1.02	0.78	0.3	0.50	0.36	0.10	0.60	0.45	0.25
M1.6	0.35	0.4	5.00	4.70	1.00	1.12	0.88	0.4	0.60	0.46	0.10	0.70	0.50	0.25
M2	0.4	0.8	6.00	5.64	1.20	1.32	1.08	0.5	0.70	0.56	0.10	0.80	0.60	0.30
M2.5	0.45	0.9	7.00	6.64	1.50	1.62	1.38	0.6	0.80	0.66	0.10	0.95	0.75	0.40
M3	0.5	1.0	8.00	7.64	1.80	1.92	1.68	0.8	1.00	0.86	0.10	1.15	0.90	0.45
M4	0.7	1.4	12.00	11.57	2.40	2.52	2.28	1	1.20	1.06	0.20	1.50	1.20	0.60
M5	0.8	1.6	16.00	15.57	2.70	2.82	2.58	1.2	1.51	1.26	0.20	1.60	1.30	0.70
M6	1	2.0	20.00	19.48	3.10	3.25	2.95	1.6	1.91	1.66	0.25	1.90	1.50	0.80
M8	1.25	2.5	25.00	24.48	3.80	3.95	3.65	2	2.31	2.06	0.40	2.40	1.90	0.90
M10	1.5	3.0	30.00	29.48	4.60	4.75	4.45	2.5	2.81	2.56	0.40	2.80	2.30	1.10

For further details, please refer to the ISO/DIN standard document for this item.