



[Browse Product Range >](#)

Westfield Fasteners Product Specification:

Split Cotter Rings, with Tails

This product guide contains the specification for split cotter rings, a range of standard parts available from Westfield Fasteners.

Product Description

Cotter rings, also known as split cotter rings, kick-out rings and retaining rings. These are made from A4 marine grade stainless steel and are durable and corrosion resistant. Designed for attaching and securing items and for use with clevis pins. They are easily removable and fast to install. Insert the end outside the circle into a hole on the item it's attaching to and wind it on.

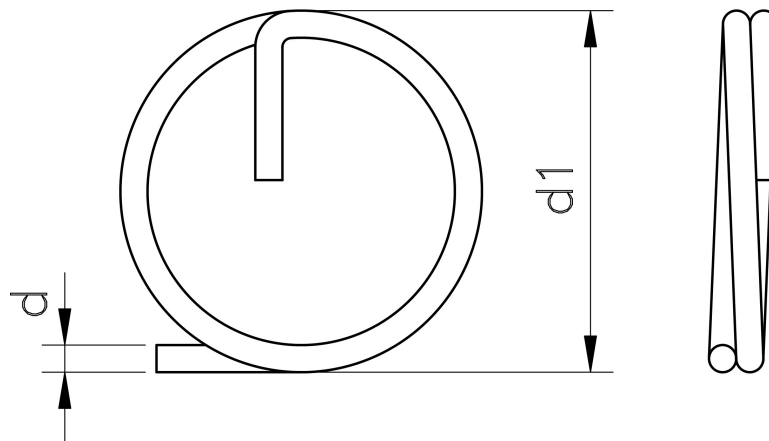


Figure 1: Cotter Ring, with Tails

Table 1: Basic Dimensions (mm)

Wire Diameter, d	Ring Diameter, d1
1.0	11
1.2	15
1.5	20
2.0	25