



[Browse Product Range >](#)

Westfield Fasteners Product Specification:

Socket Countersunk Sleeve Nuts

This product guide contains the specification for our range of Socket Countersunk Sleeve Nuts, a series of standard parts available on the website.

Product Description

Countersunk headed sleeve nut with an allen or hex socket drive. Sitting flush within the surface of a component, this sleeve nut creates a smooth aesthetically pleasing feature. Sleeve nuts are also known as barrel or case nuts, and will need to be paired with corresponding sized metric bolt to secure the assembly. Commonly used in flat-pack furniture construction and architectural projects.

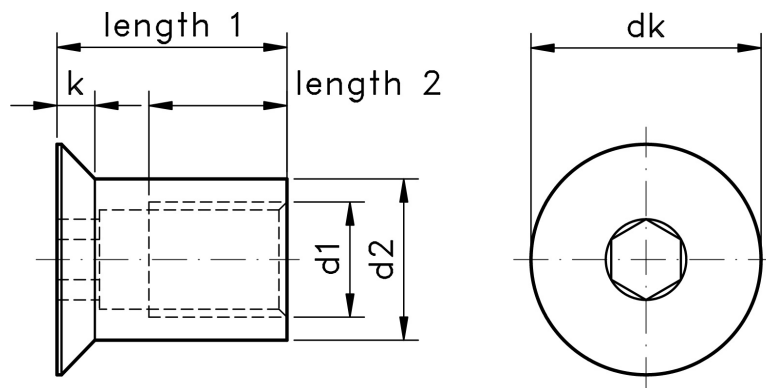


Figure 1: Socket Countersunk Sleeve Nuts

Table 1: Dimensions & Tolerances (mm)

Thread, d1	d2	length 1	length 2	dk	k	Drive Size
M3	4.5	7	4	6	0.8	2
M4	5	12	7	8	1.8	2.5
M5	6.5	15	9	10	2.1	3
M6	8	16	9	12	2.3	4
M8	11	16	9	16	2.8	5
M10	14	20	12	20	3.3	6
M12	16	20	12	24	4.4	8
M16	22	25	15	30	5.4	10